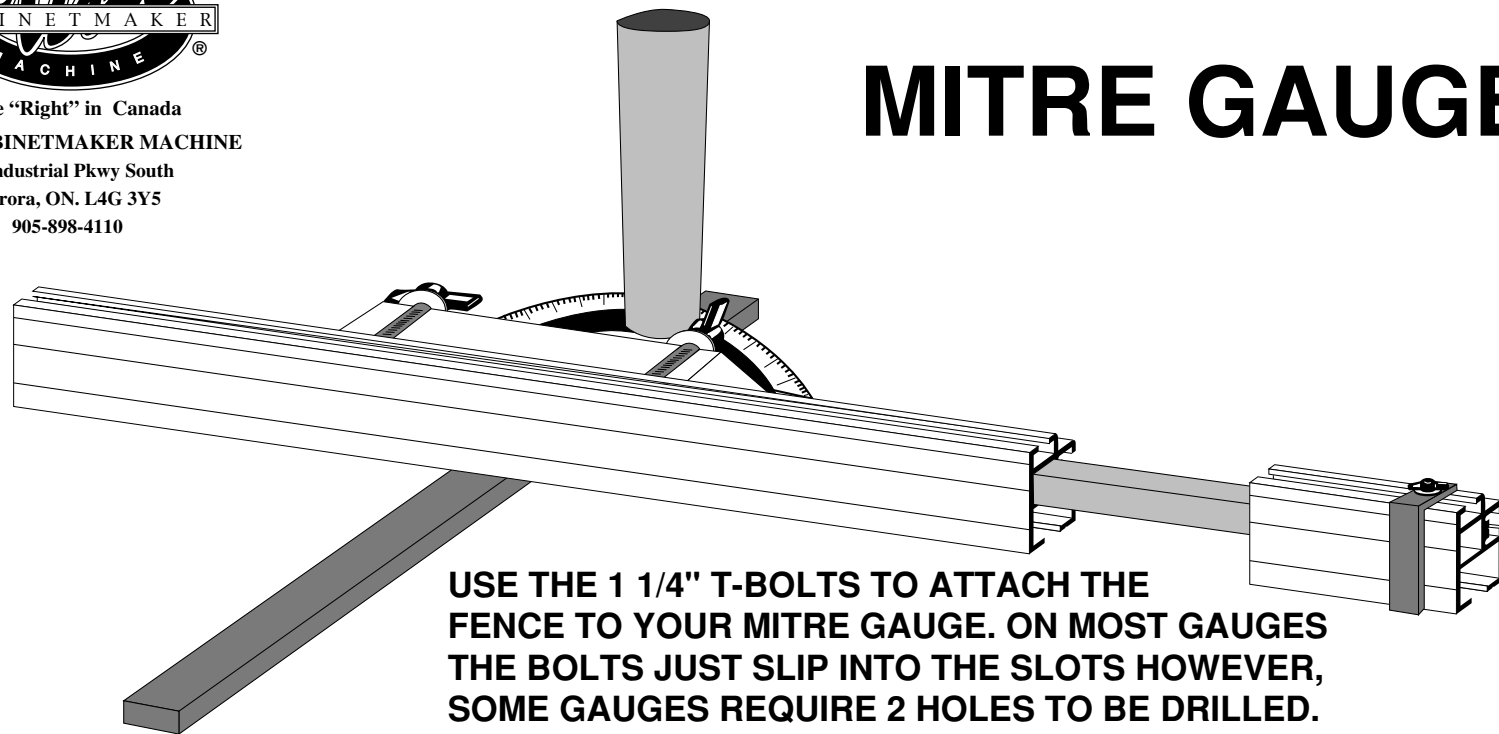




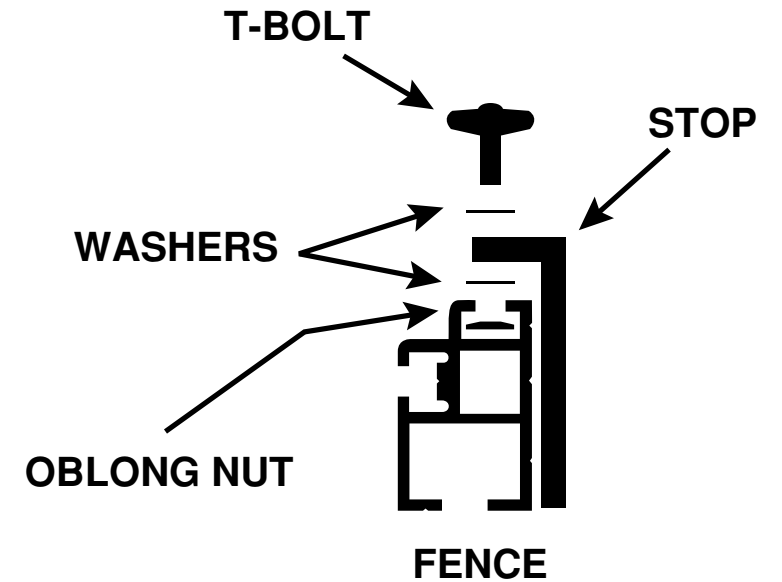
Made "Right" in Canada  
 MULE CABINETMAKER MACHINE  
 59 Industrial Pkwy South  
 Aurora, ON. L4G 3Y5  
 905-898-4110

# MITRE GAUGE FENCE

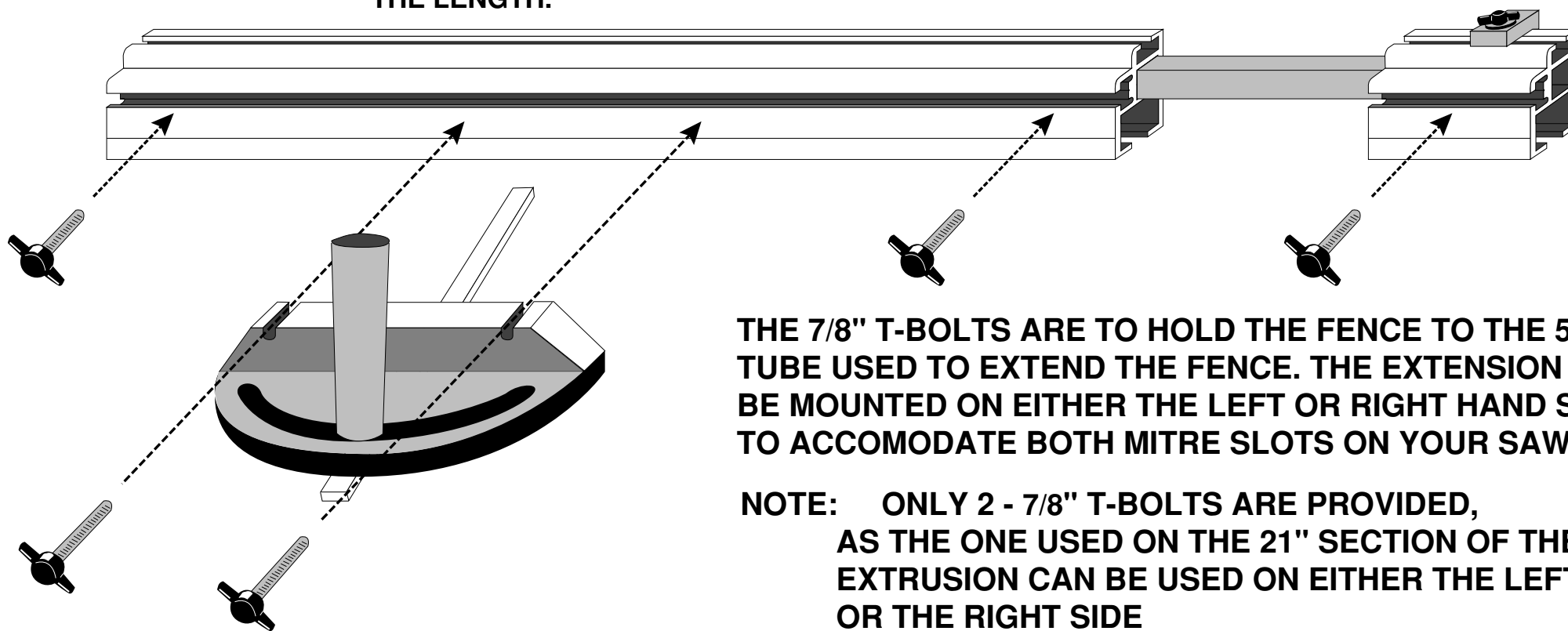


USE THE 1 1/4" T-BOLTS TO ATTACH THE FENCE TO YOUR MITRE GAUGE. ON MOST GAUGES THE BOLTS JUST SLIP INTO THE SLOTS HOWEVER, SOME GAUGES REQUIRE 2 HOLES TO BE DRILLED. THE OBLONG NUTS ARE TO SLIDE IN THE T-SLOTS OF THE FENCE.

NOTE: IF BOLTS ARE TOO LONG YOU MAY NEED TO USE ADDITIONAL WASHERS TO SHORTEN THE LENGTH.



THE MOVEABLE STOP CAN BE PLACED ANYWHERE ALONG THE FENCE OR ON THE EXTENSION.



**USE THE MITRE FENCE IN EITHER THE LEFT OR RIGHT MITRE SLOTS, SIMPLY BY HAVING THE EXTENSION COME OUT EITHER THE LEFT OR RIGHT END**